

Dealer _____

Date: _____
 Quotation
 Order n° _____
Reference: _____
Jan. 2023 · Signature _____

Legend

standard option (default)
 option without any additional price
 option with additional price

1. MEASUREMENTS (cm)

L Seat width 34 36 38 40 42 44 46

P Seat depth 34 36 38 40 42 44 46 48

H Back-rest height 27 29 31 33 35 37 39

HA Front seat/floor height 40 42 44 46 48 50 52

HP Rear seat/floor height 37 38 39 40 41 42 43
 44 45 46 47 48 49 50

P Foot-rest/seat distance 35 37 39 41 43 45 47 49

2. FRAME

Front frame shape

"V" shape (Only tilt adjustable closed footplate) Straight

Footplate

Tilt adjustable, closed carbon fibre footplate, black Open, black (Straight front frame only)

Carbon, closed footrest (Straight front frame only)

(Only choice in case of V shaped front frame)

Pushing handles

No pushing handles Fixed pushing handles

Height adj. push handles Foldable push handles

Front frame angle

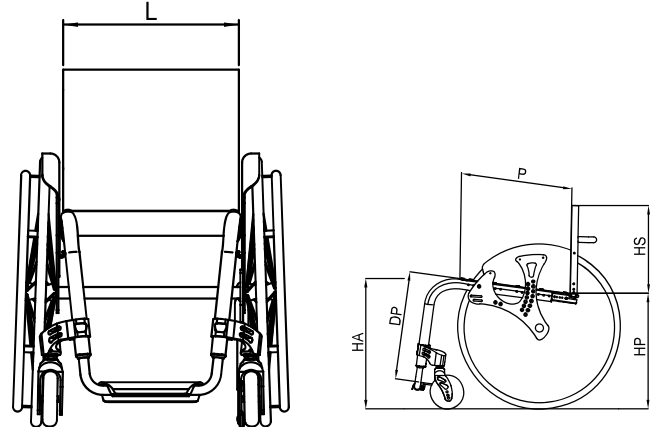
90° (def.) A=16 cm
 95° A=22 cm

Backrest bar

Default (P 7,5 cm, H 19 cm, dia 25 mm)
 Custom
P cm
H cm

THEMIS

page 1/2



3. COLOURS

Frame & forks colour

Matte black Matte Purple
 Glossy black Matte London smoke
 Metal grey Matte Blue Klein
 Metal blue Neon green
 Other colour: (see "Colours" catalogue) Neon orange

Colour(s) of details Add'l for bicolour option:

EAR (front wheel holder) Same as frame Other colour:

Clothes guard holder Same as frame Other colour:

24" Light rear wheels (** if selected) eventual colour of rim & hub:

Black Red
 Silver Orange
 Light blue Cyclamen light purple

4. SETUP

Distance between hub centre and backrest

7 cm
 9 cm (default)
 11 cm
 13 cm
 15 cm

Backrest tilt (adjustable)

89°
 91° (default)
 93°

Rear wheel camber

1° 2° 3° 4°

Quick rel. axles Ø 12 mm (default)
 Quick rel. axles Ø 1/2" (12,7 mm)
 Cambered bushes length 42 mm (default)
 Cambered bushes length 50 mm

Revolving anti-tip device

Right
 Left

